



## Tripod Mounts

### Marine grade aluminium Tri-leg or Quad leg Mounts

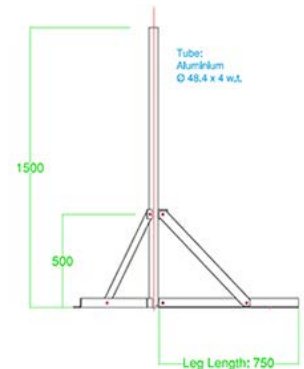


For quick-install applications for temporary communication links, or as a fixed location mounting solution, our range of in-house manufactured heavy-duty marine grade aluminium tripod mounts are your ideal solution.

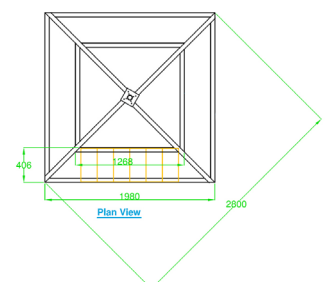
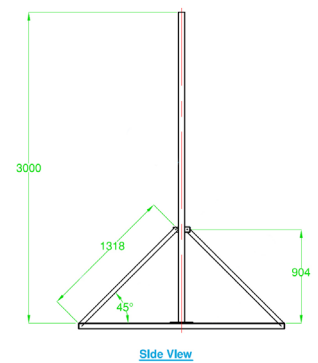
The A-1931 series of tripod mounts are collapsible leg designed for a reduced courier cost and storage size. Suitable for vehicle storing when not in use.

Antennas, coaxial cable patch leads, filters, multicouplers and mounting hardware are all available separately.

	A-1931	A-1931-2
Construction	Marine grade aluminium body, 316 grade nuts/bolts and (A-1931-4 only) C-pins	
Tripod Type	Collapsible tri-leg roof mount	Collapsible non-penetrative with square base
Dimensions	Height: 1.5m Mast Dia: 60mmø Footprint: 1.5m Leg: 750mm	Height: 3.0m Mast Dia: 60mmø Footprint: 2.8m Width: 1.98m
Suitable antennas	<ul style="list-style-type: none"> <li>MGP-4 series mini gridpacks</li> <li>Y4, Y6, Y7 or Y8 series Yagis</li> <li>Small to medium collinear, coaxial dipole, mono-cone or discone</li> </ul>	
Alternative equipment	<ul style="list-style-type: none"> <li>Lighting</li> <li>Signage</li> <li>Security equipment such as cameras or sirens</li> <li>PA systems such as speakers</li> </ul>	
Mounting position recommended	Securely mount onto any flat horizontal surface such as a roof or flat ground	
Securing	Secure using mounting bolts or pegs using 13mm holes in legs	Secure using weighted bags, blocks or U-pegs over each leg



A-1931-2 collapsible roof mount tripod



A-1931-2 collapsible non-penetrating tripod

## Tripod Mounts

### Marine grade aluminium Tri-leg or Quad leg Mounts

For quick-install applications for temporary communication links, or as a fixed location mounting solution, our range of in-house manufactured heavy-duty marine grade aluminium tripod mounts are your ideal solution.

The A-1931 series of tripod mounts are collapsible leg designed for a reduced courier cost and storage size. Suitable for vehicle storing when not in use.

Antennas, coaxial cable patch leads, filters, multicouplers and mounting hardware are all available separately.

	A-1931-4	A-1931-5
Construction		
Tripod Type	Collapsible tri-leg with adjustable feet	Collapsible tri-leg with adjustable feet and extension pole
Dimensions	Height: 1.5m Mast Dia: 63.5mmø Footprint: 1.5m Leg: 750mm	Height: 1.5m Extended height: 2.8m Main mast dia: 63.5mmø Extension dia: 60mmø Footprint: 1.5m Leg: 750mm
Suitable antennas	<ul style="list-style-type: none"> <li>MGP-4 series mini gridpacks</li> <li>Y4, Y6, Y7 or Y8 series Yagis</li> <li>Small to medium collinear, coaxial dipole, monocone or discone</li> </ul>	
Alternative equipment	<ul style="list-style-type: none"> <li>Lighting</li> <li>Signage</li> <li>Security equipment such as cameras or sirens</li> <li>PA systems such as speakers</li> </ul>	
Mounting position recommended	Any flat surface or ground, adjust to optimum vertical orientation using adjustable feet.	
Securing	Secure using weighted bags over legs or pegs into holes on feet and base	



A-1931-4 collapsible tripod with adjustable legs